



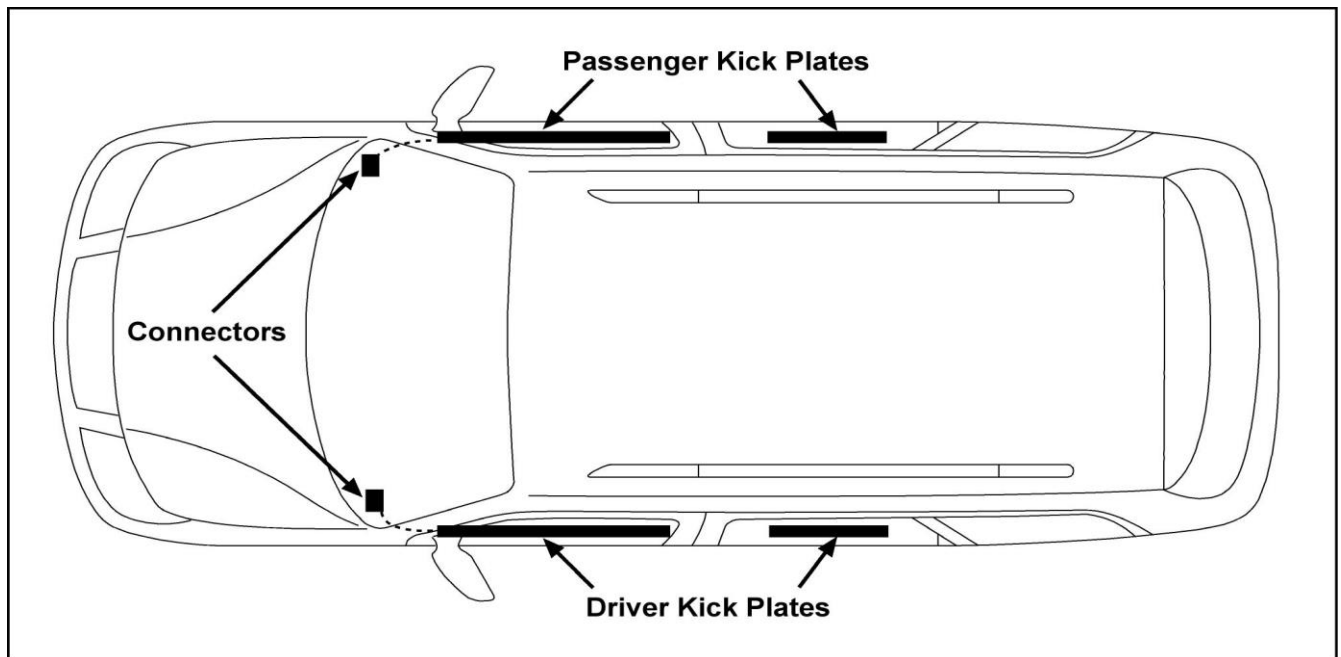
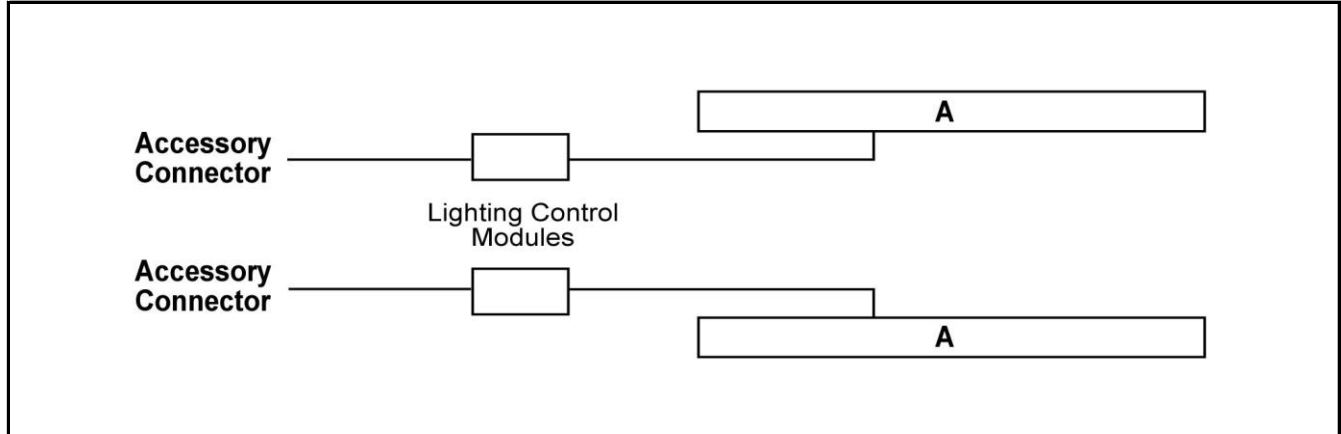
GENUINE PARTS

INSTALLATION INSTRUCTIONS

1. DESCRIPTION: Illuminated Kick Plate Kit			
2. APPLICATION: Pathfinder			
3. PART NUMBER: 999G6 XZ120, 999G6 XZ020			
4. KIT CONTENTS:			
Item	QTY	Description	Service Part Number
A	2	Illuminated Front Kick Plate	Not Serviceable- Part of Kit XZx20
B	2	Non-illuminated Rear Kick Plate	
C	4	Posi-Tap	
D	12	Foam Tape	
E	24	Cable Tie	
F	1	ACCESSORY WEBSITE ADDRESS PAPER	
ITEMS NOT IN KIT THAT MAY BE REQUIRED			
	2	Accessory Service Connector	999Q9 AY000
			<p>NOTE: ACCESSORY HARNESS MAY BE REQUIRED. NOT INCLUDED IN KIT. REFERENCE PART NUMBER 999Q9 AY000.</p>
<div style="border: 1px solid black; padding: 5px; margin-top: 10px;"> <p>STOP Important: Read Before Installation!</p> <p>Dealer Installation Recommended.</p> <p>WARNING</p> <p>To avoid serious personal injury or property damage, always read the Installation Instructions before attempting to install this accessory. The Installation Instructions provide the necessary precautions for safe installation.</p> <p>CUSTOMER INTERNET DOWNLOAD INSTRUCTIONS: Customers can obtain Installation Instructions for Service or Repair Manuals at www.nissanusa.com or www.nissan.com. Customers can, respectively, from the home page, select Accessory Instructions. Select your Home, Model Year, and Accessory Type or search for your Home, and/or Model Year, and/or Accessory Type including Keyword or Part Number, then locate the Instructions for your accessory.</p> <p>DEALER ASSIST DOWNLOAD INSTRUCTIONS: Dealership technicians can locate the Installation Instructions for this equipment by searching for and enter "Kit, Install Instructions" tab. Always download and use latest version of the Installation Instructions.</p> <p style="font-size: small; text-align: right;">©2014 Nissan North America, Inc. 08/15/14</p> </div>			
5. TOOLS REQUIRED			
<ul style="list-style-type: none"> • Electrical tape • Masking tape • Protective cloth • Protective gloves • Scissors, tape measure and metric scale • Trim removal tool • 50/50 alcohol/water solution 			
6. PRE-INSTALLATION CAUTION/NOTES			
<ul style="list-style-type: none"> • Dealer installation recommended. Instructions may refer to Service Manual • Installation may require special tools • This part is to be installed within a surface temperature range of 65-100°F 			
⚠ CAUTION			
<ul style="list-style-type: none"> • This accessory must only be installed as specified in these instructions. • Ensure at all times that parts are securely fitted and will not compromise the safe function of vehicle systems. 			

INSTALLATION INSTRUCTIONS - Illuminated Kick Plate Kit

7. INSTALLATION OVERVIEW



8. CRITICAL STEPS

The following steps are critical and must be performed **EXACTLY** as specified to ensure proper installation:

- Location of the lights must be followed exactly as described in this instruction.
- Posi-Tap™ instructions must be specifically followed as described.
- Be sure to apply masking tape as needed in order to protect any areas that may become scratched or damaged by tools.
- Be sure to apply foam tape to any wiring components that can be damaged over time by sharp edges.
- Test the functionality of the kit before final clean up and reinstallation of interior panels.

INSTALLATION INSTRUCTIONS - Illuminated Kick Plate Kit

9. VEHICLE PREPARATION:

- 1) Apply parking brake
- 2) Confirm the vehicle is no longer in the default shipping state.
Failure to confirm the vehicle has been removed from this state will result in the loss of normal vehicle operation.
- 3) Record customer radio presets.

	1	2	3	4	5
A					
B					
C					

To remove transit mode

- 1) Remove fuse box cover.
- 2) Push down on shorting pin.
- 3) Replace fuse box cover.
- 4) **Without** pressing the brake pedal, turn on ignition two times.

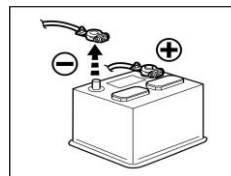
To reactivate transit mode

- 1) Be sure ignition is off.
- 2) Remove fuse box cover.
- 3) Pull up shorting pin.
- 4) Replace fuse box cover.
- 5) **Without** pressing the brake pedal, turn on ignition two times.
- 6) Confirm transit mode condition with meter.

NOTE: USE CAUTION WHEN REMOVING / RE-INSTALLING TRIM COMPONENTS TO AVOID DAMAGE, SCRATCHES, BREAKING OF CLIPS AND / OR INTERIOR TRIM PANELS. MOVE ALL TRIM COMPONENTS TO A PROTECTED AREA.

WARNING

Move driver and passenger seats to full back position. Disconnect negative battery terminal before proceeding.

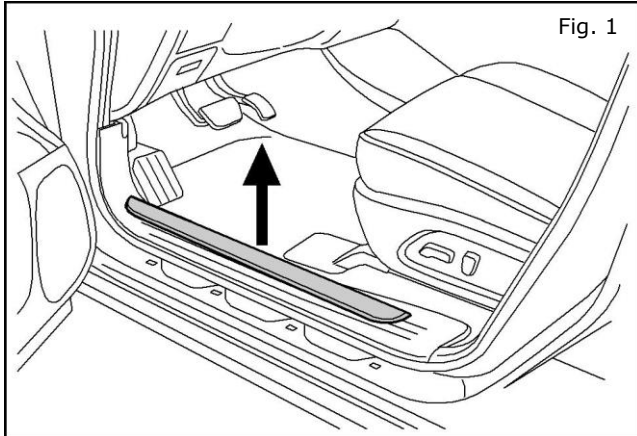


10. Order of Installation

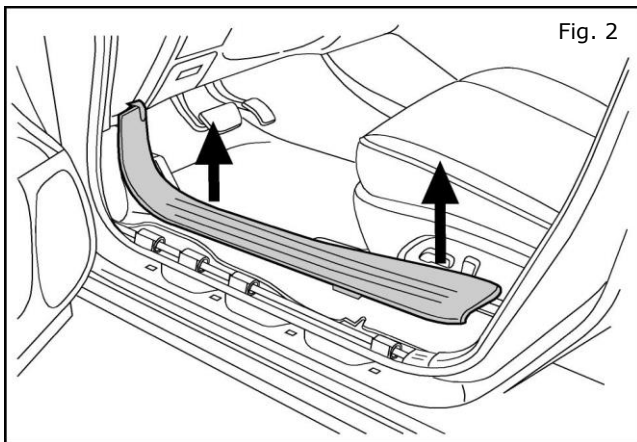
1. Remove panels and trim.
2. Install Kick Plate Assemblies
3. Route Wiring
4. Replace all panels

INSTALLATION INSTRUCTIONS - Illuminated Kick Plate Kit

11. INTERIOR PREPARATION



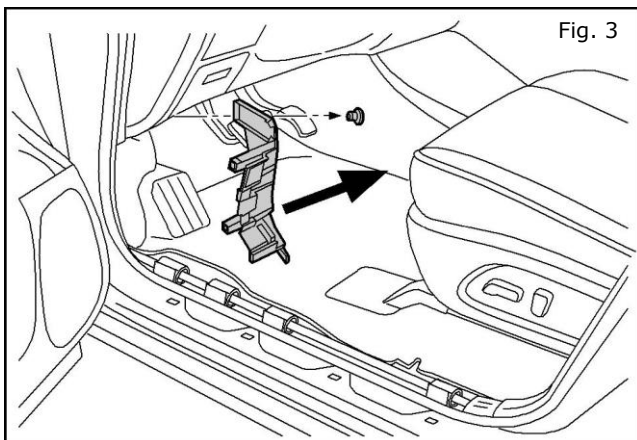
1. Use a trim stick to carefully pry off the existing kick plate from the driver side rocker area.



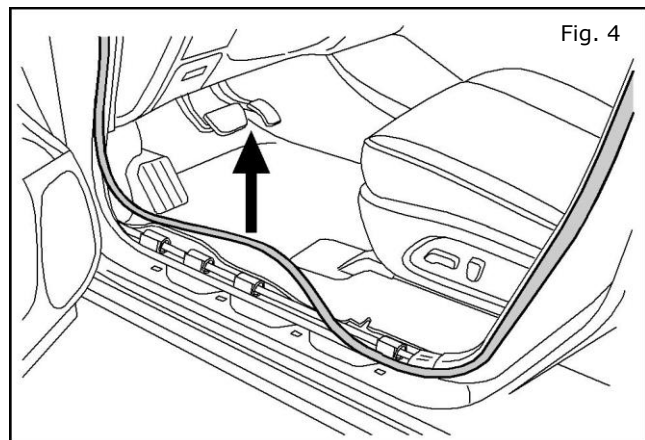
2. Use a trim stick to carefully pry off the trim panel along the bottom door seal from the seat to the footwell.

Note: Begin prying panel at the rear and work forward for easiest removal.

3. Use a panel popper tool to remove one (1) trim clip. Use a trim stick to pry off the footwell trim panel.



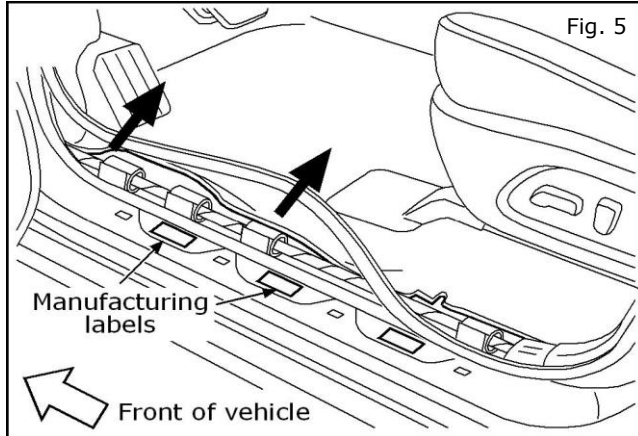
4. Carefully pull back the bottom door seal welt.



5. REPEAT STEPS 1 THROUGH 4 FOR THE PASSENGER SIDE.

INSTALLATION INSTRUCTIONS - Illuminated Kick Plate Kit

12. INSTALLATION

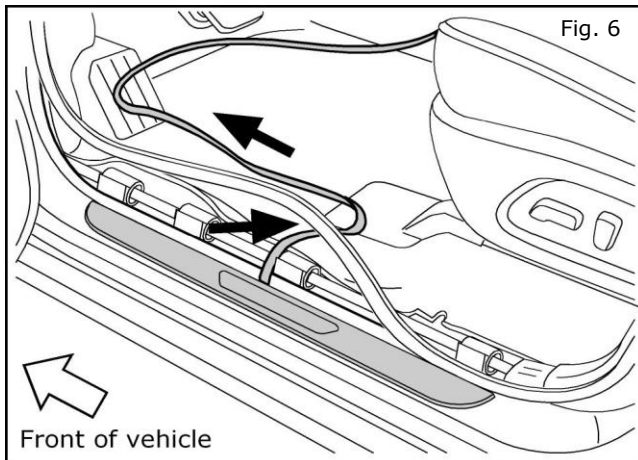


DRIVER SIDE INSTALLATION

5. Carefully pull back carpet edge to expose existing harness and clips.

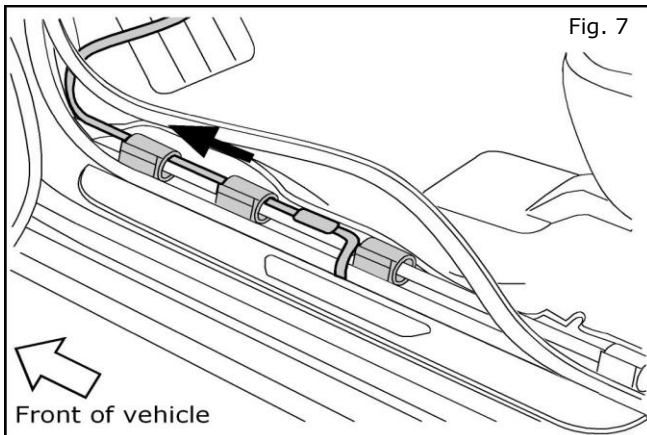
Note: Manufacturing bar code labels do NOT need to remain on the vehicle. Be sure to remove these labels or the Kick Plate adhesive mounting strips may not adhere properly.

Clean all mounting surfaces with alcohol wipe before final installation.



6. Place new Illuminated Kick Plate into position on the driver side door sill and feed the wiring through under the door welt.

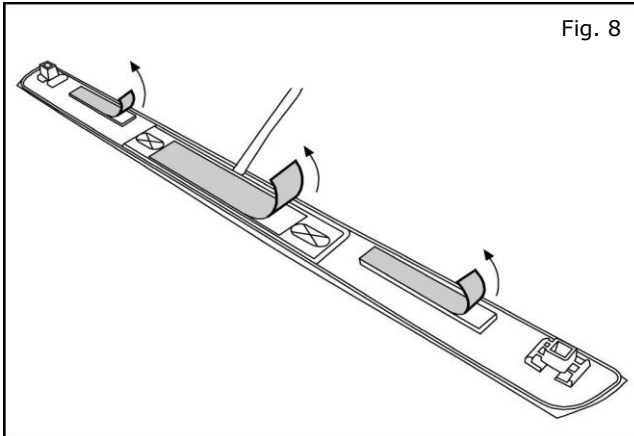
Note: Do not snap plate into place at this time.



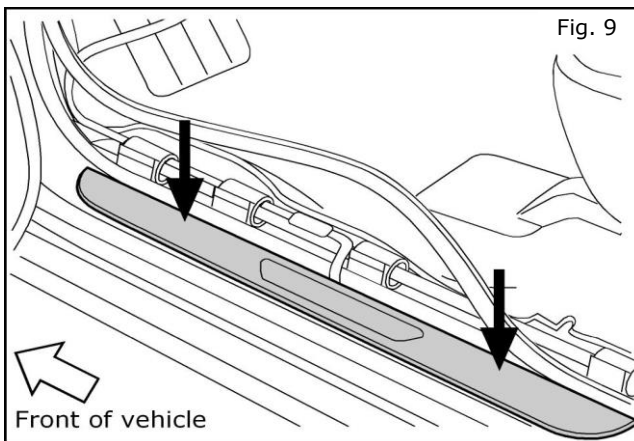
7. Feed the end of the wiring up through the existing harness clips towards the footwell.

INSTALLATION INSTRUCTIONS - Illuminated Kick Plate Kit

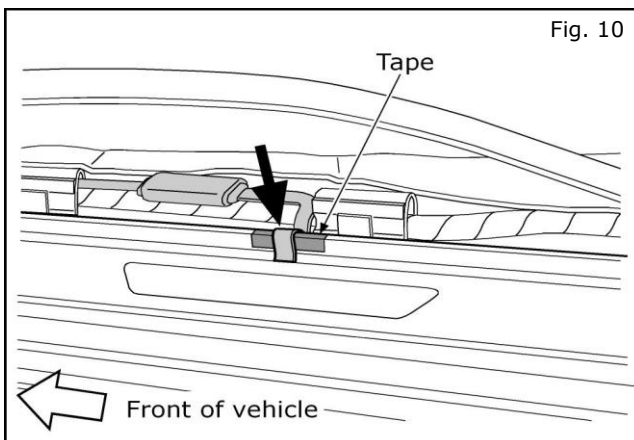
12. INSTALLATION



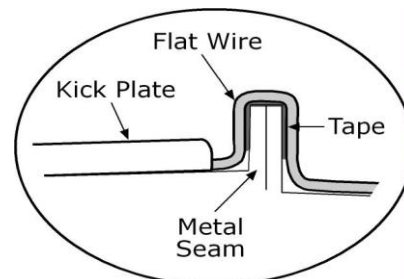
8. Carefully flip the driver Kick Plate over. Remove backing from three (3) adhesive strips located on the back of the Kick Plate.



9. Carefully align Kick Plate with mounting holes and press firmly until plate snaps into position. **Apply minimum 15 lbs of downward pressure evenly along the Kick Plate for at least 30 seconds**

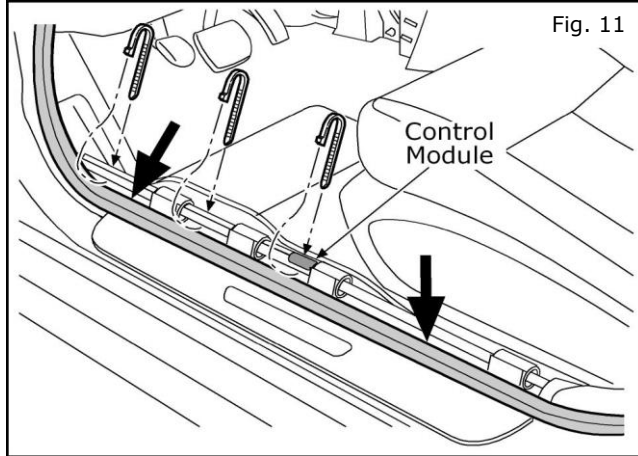


10. Cover the sheet metal edge under the wiring with a piece of protective tape. Remove all slack from the wiring at the plate end. Carefully bend the flat wire to fit tightly over the sheet metal edge.



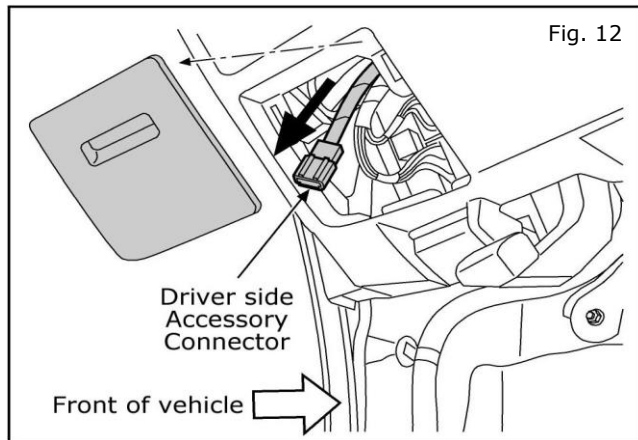
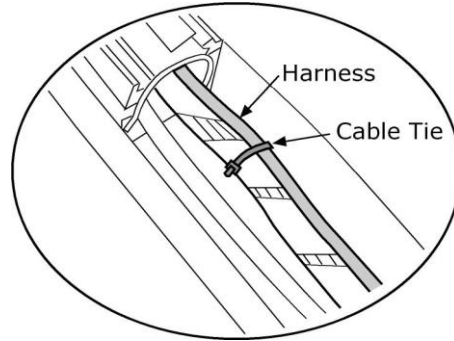
INSTALLATION INSTRUCTIONS - Illuminated Kick Plate Kit

12. INSTALLATION



11. Press the door seal welt back down into position. Route the wires along the existing harness. Secure with cable ties as shown.

Note: Be sure to secure the Control Module just ahead of the third clip with a cable tie.

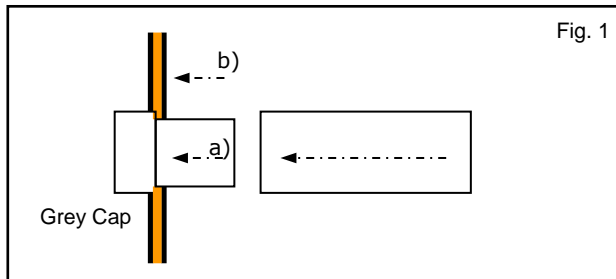


12. Remove the fuse block access panel from the left side of the dash. Locate the driver side Accessory Connector plug. It will be located up under the dash to the right of the fuse block. Carefully pull the plug out for easier access.

Note: A previously installed accessory may be present. If so, carefully remove the accessory connector harness from the accessory connector plug before posi-tapping. It is recommended that all posi-tapping be completed before reattaching the accessory connector harness to the plug.

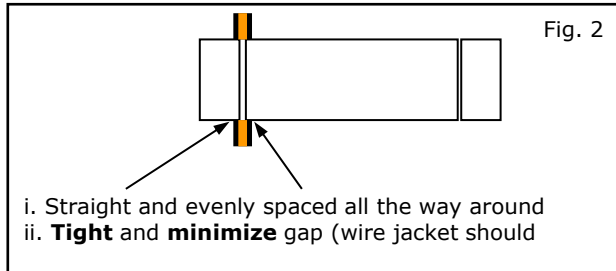
INSTALLATION INSTRUCTIONS - Illuminated Kick Plate Kit

13. POSI TAP INSTRUCTIONS



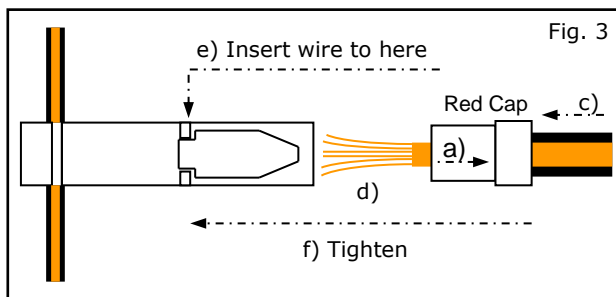
- 1) Tap vehicle wire.
 - a) Remove grey cap (slot side) from tap body.
 - b) Slide cap around vehicle wire.
 - c) Tighten the tap **TIGHT** with finger pressure.

NOTE: Do not re-use the tap for subsequent re-installation. Figures are not to scale

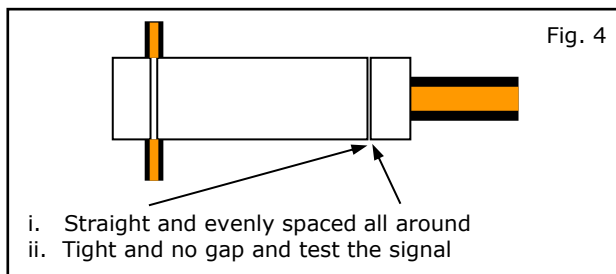


- 2) Inspect the tap to ensure correct installation.

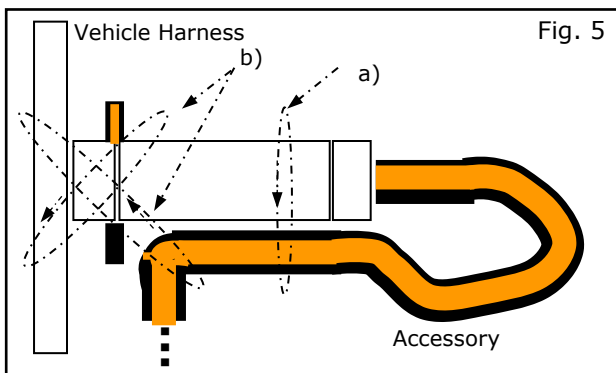
NOTE: Avoid putting pressure on the vehicle wire and tap for the remainder of the installation.



- 3) Inspect the tap to ensure correct installation.
 - a) Remove red cap (non-pierce) side from tap.
 - b) Remove the protective stub from the wire.
 - c) Insert wire through the non-pierce side opening.
 - d) Spread the individual strands into fan shape.
 - e) Insert wire into the tap body and ensure that it is all the way in.
 - f) Tighten the tap **TIGHT** with finger pressure.



- 4) Confirm the tapped accessory wire.
 - a) Inspect the tap to ensure correct installation.
 - b) Test the signal to ensure that it is working properly.



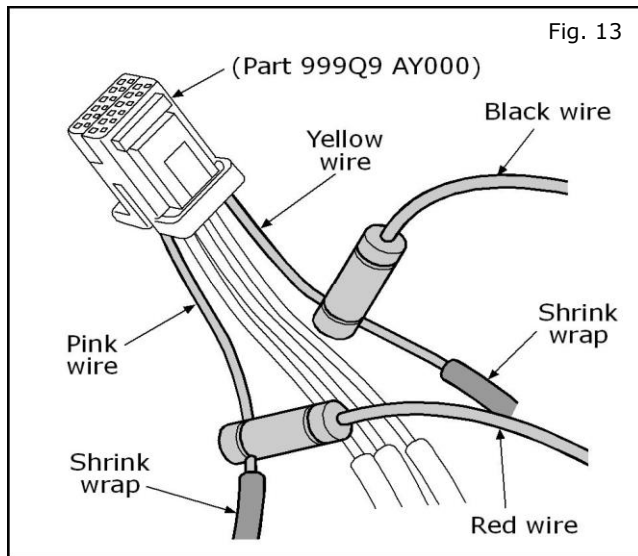
- 5) Secure the tap.
 - a) Secure the tapped wire on the non-pierce side to the body of the tap with electrical tape (≥ 2 revolutions).
 - b) Secure the body to harness where vehicle wire is being tapped with electrical tape (≥ 2 revolutions).

INSTALLATION INSTRUCTIONS - Illuminated Kick Plate Kit

14. INSTALLATION

CAUTION

- Color(s) given in illustration(s) are for reference only. Use location(s) where color deviates.
- If a vehicle wire is being used by another accessory and a posi-Tap is present, tap the accessory wire NOT the vehicle wire.

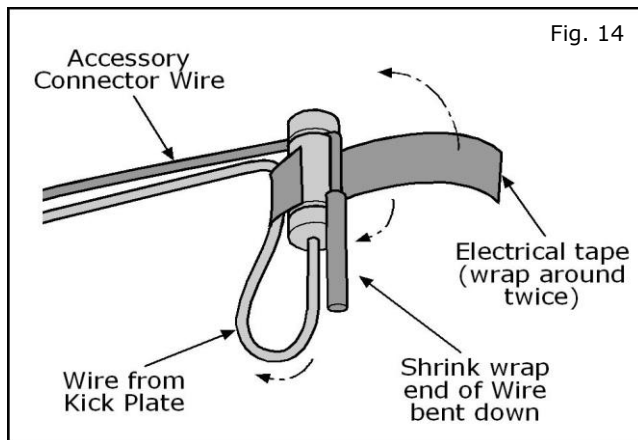


13. Using a posi-tap, connect the **Black** wire from the Kick Plate to the **Yellow** wire on the Accessory Connector Harness.

Using a posi-tap, connect the **Red** wire from the Kick Plate to the **Pink** wire on the Accessory Connector Harness.

Plug the Accessory Connector Harness into the vehicle connector plug on the passenger side.

**HARNESS NOT INCLUDED IN KIT.
REFERENCE PART NUMBER
999Q9 AY000.**

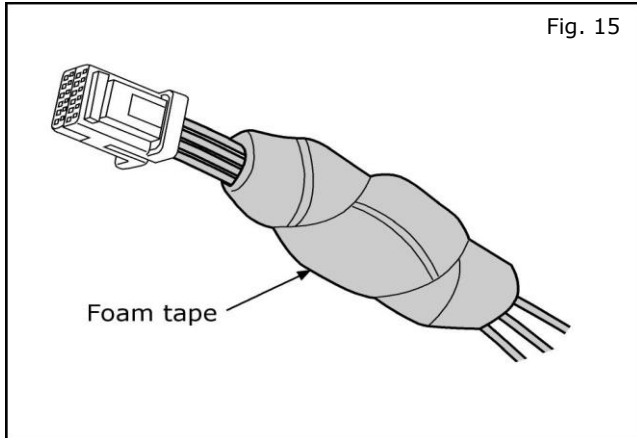


14. **Follow this finishing procedure on all posi-taps.** Leave a short length of wire extended past the posi-tap and bend down as shown. Use electrical tape to secure the extra wire against the posi-tap with at least two revolutions.

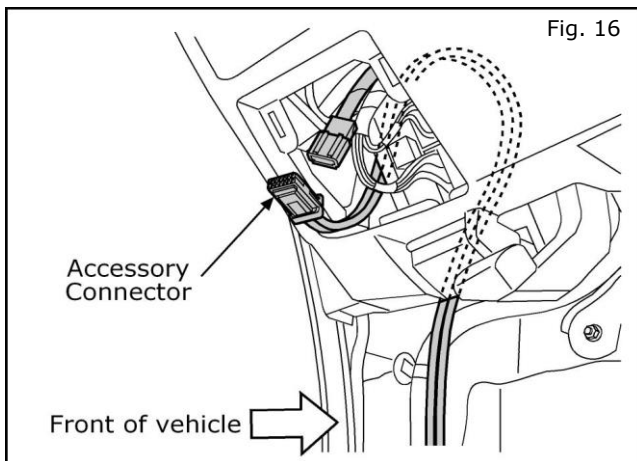
Note: Make sure that the end of the wire is completely covered by the tape.

INSTALLATION INSTRUCTIONS - Illuminated Kick Plate Kit

14. INSTALLATION

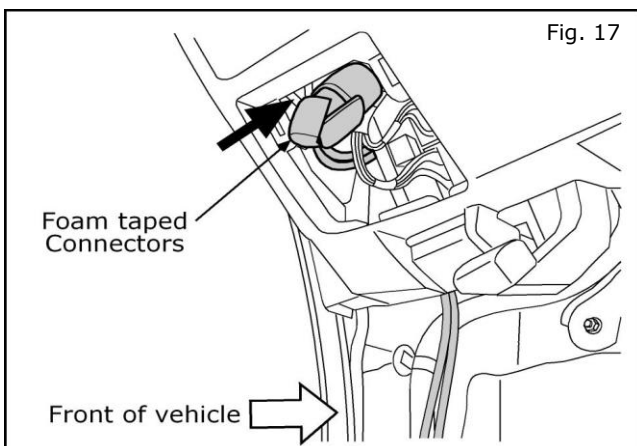


15. Wrap the posi-taps with foam tape to prevent rattle.



16. Route the Accessory Connector Harness up behind fuse block. Follow the O/E harness on the left side of the fuse block to the vehicle connector plug. Plug the connectors together.

Note: Be sure the new harness routing does NOT interfere with the emergency brake in any way.

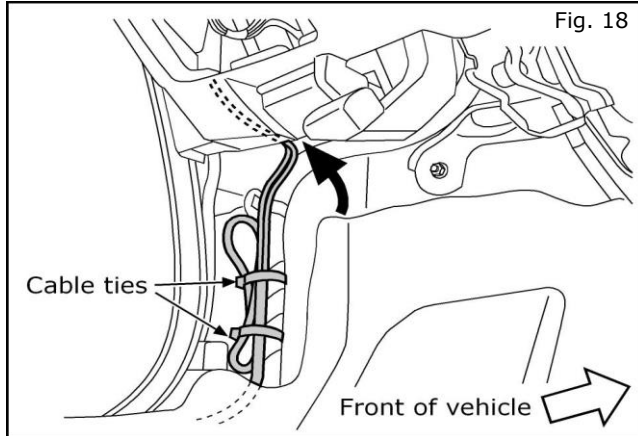


17. Wrap the Connectors in foam tape and position them back up inside the dash above the fuse block.

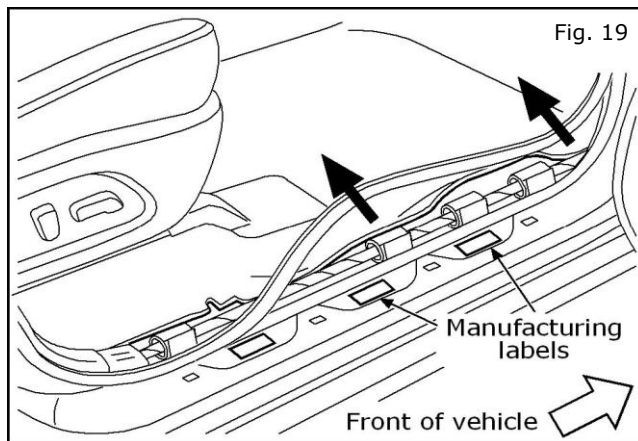
Reinstall the fuse block access panel.

INSTALLATION INSTRUCTIONS - Illuminated Kick Plate Kit

14. INSTALLATION



18. Route any excess wiring along the existing harness and up under the dash. Secure with cable ties.

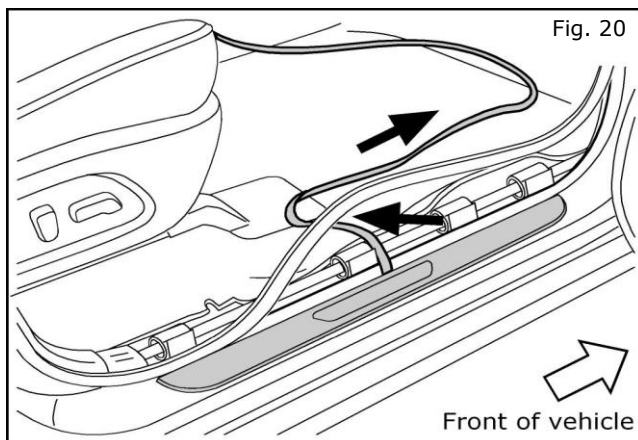


PASSENGER SIDE INSTALLATION

19. Carefully pull back carpet edge to expose existing harness and clips.

Note: Manufacturing bar code labels do NOT need to remain on the vehicle. Be sure to remove these labels or the Kick Plate adhesive mounting strips may not adhere properly.

Clean all mounting surfaces with alcohol wipe before final installation.



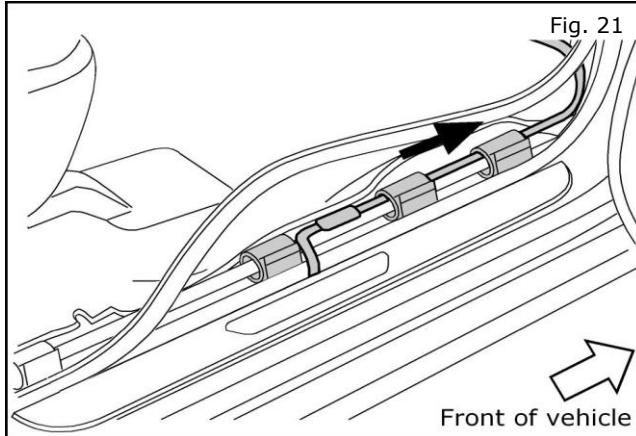
20. Place new Illuminated Kick Plate into position on the passenger side door sill and feed the wiring through under the door welt.

Note: Do not snap plate into place at this time.

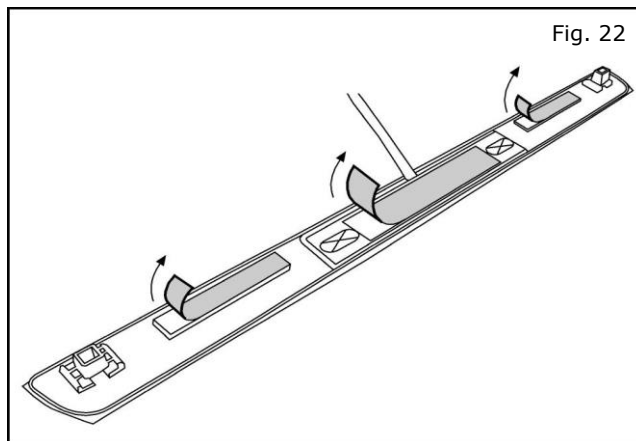
Do NOT remove clear protective film from plate. Dealer will remove when necessary

INSTALLATION INSTRUCTIONS - Illuminated Kick Plate Kit

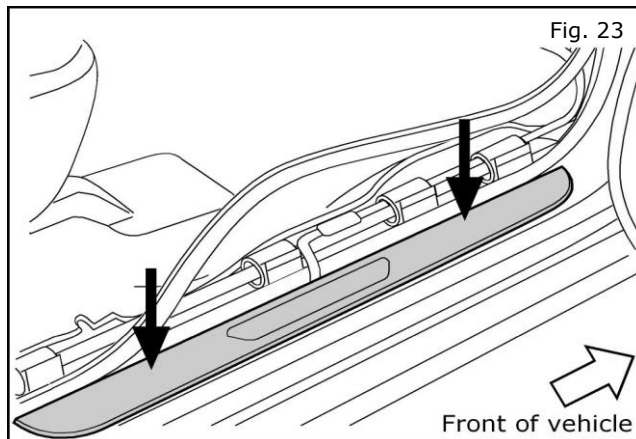
14. INSTALLATION



21. Feed the end of the wiring up through the existing harness clips towards the footwell.



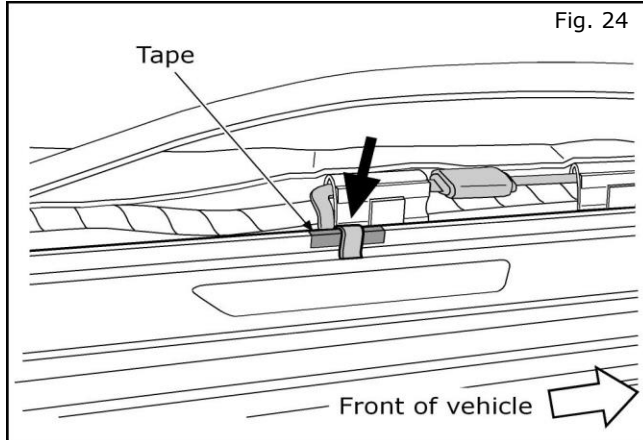
22. Carefully flip the Kick Plate over. Remove backing from three (3) adhesive strips located on the back of the Kick Plate.



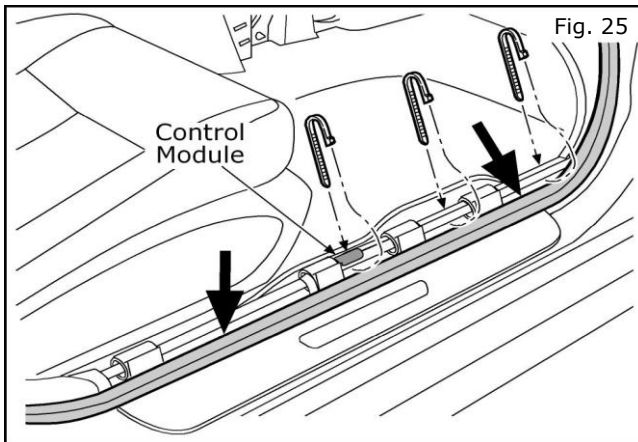
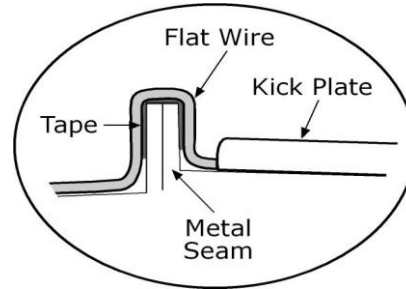
23. Carefully align Kick Plate with mounting holes and press firmly into position. **Apply 15 lbs of downward pressure evenly along the Kick Plate for at least 30 seconds**

INSTALLATION INSTRUCTIONS - Illuminated Kick Plate Kit

14. INSTALLATION



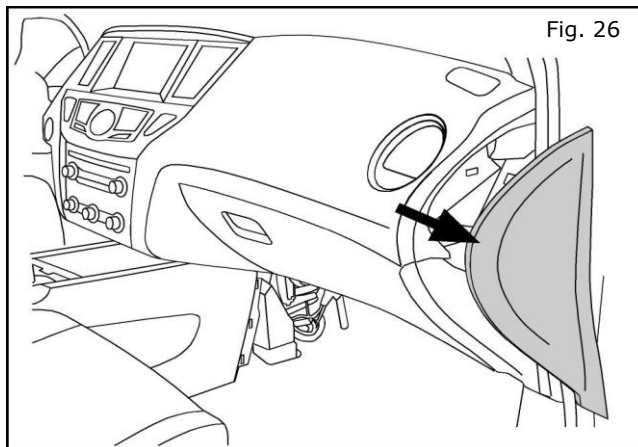
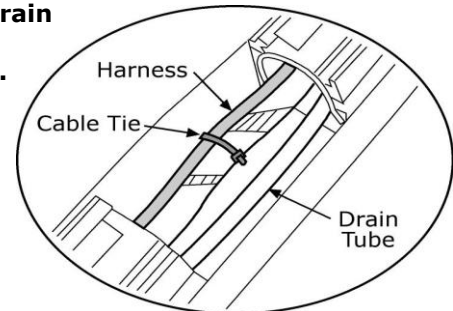
24. Cover the sheet metal edge under the wiring with a piece of protective tape. Remove all slack from the wiring at the plate end. Carefully bend the flat wire to fit tightly over the sheet metal edge.



25. Press the door seal welt back down into position. Route the wires along the existing harness. Secure with cable ties as shown.

NOTE: Be sure to secure the Control Module just ahead of the third clip with a cable tie.

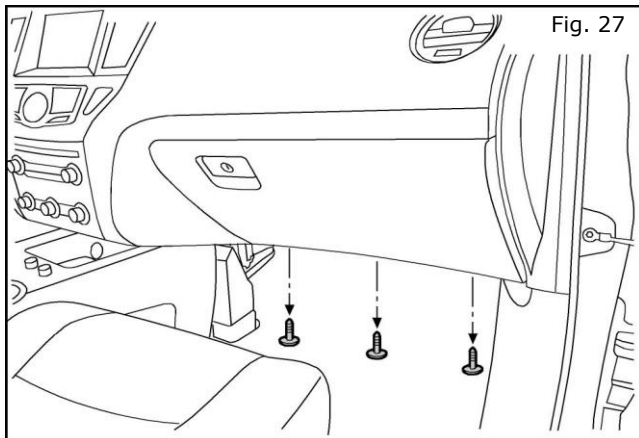
NOTE: Do NOT secure the wiring to the drain tube in any way.



26. Carefully pry off the dash side mask by the passenger door.

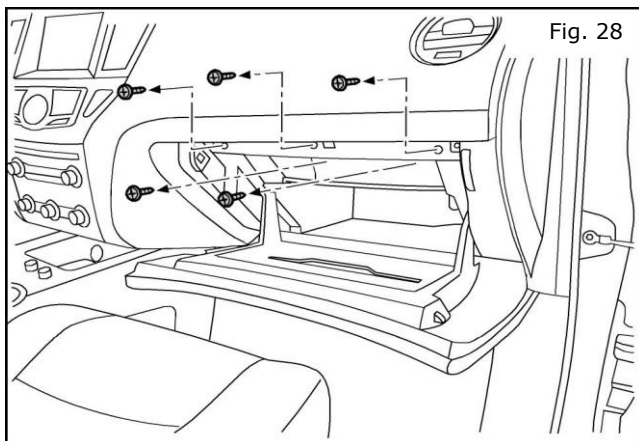
INSTALLATION INSTRUCTIONS - Illuminated Kick Plate Kit

14. INSTALLATION



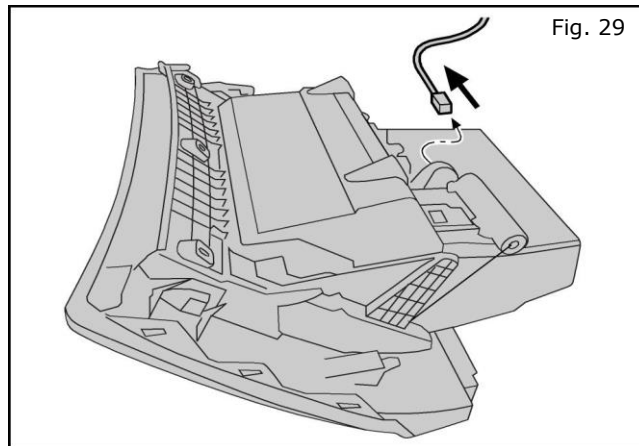
27. Remove three (3) phillips head screws from the underside of the glovebox.

NOTE: For Hybrid Vehicles only.



28. Open the glovebox door. Remove five (5) phillips head screws from inside the glovebox compartment.

NOTE: For Hybrid Vehicles only.

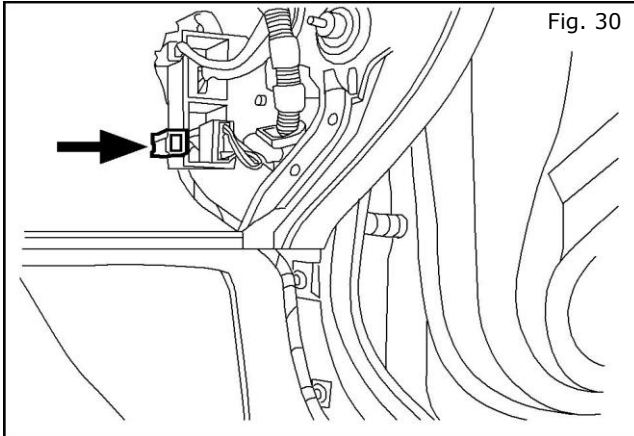


29. Carefully pull out the glovebox assembly. Remove the glovebox lamp. Fully remove the glovebox assembly and set aside.

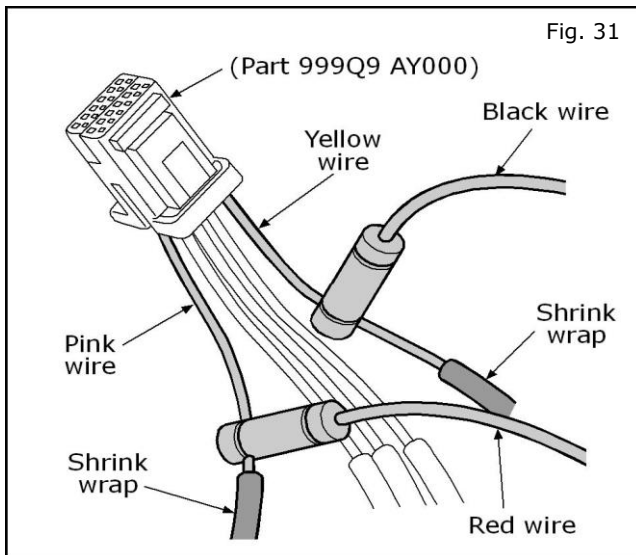
NOTE: For Hybrid Vehicles only.

INSTALLATION INSTRUCTIONS - Illuminated Kick Plate Kit

14. INSTALLATION



30. Locate of the **passenger side** Accessory Connector plug behind the glovebox on the right side of the footwell.

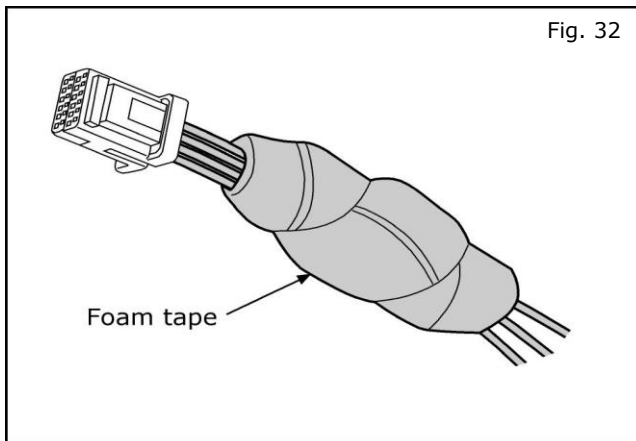


31. Using a posi-tap, connect the **Black** wire from the Kick Plate to the **Yellow** wire on the Accessory Connector Harness.

Using a posi-tap, connect the **Red** wire from the Kick Plate to the **Pink** wire on the Accessory Connector Harness.

Repeat this process with the Red and Black jumper wires.

**HARNESS NOT INCLUDED IN KIT.
REFERENCE PART NUMBER
999Q9 AY000.**

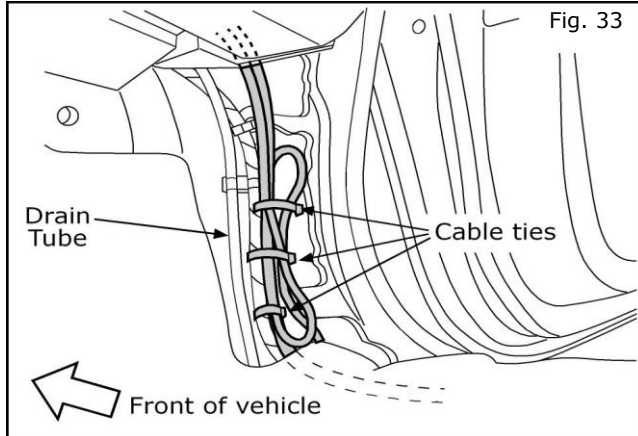


32. Wrap the posi-taps with foam tape to prevent rattle.

Plug the Accessory Connector Harness into the vehicle connector plug on the passenger side.

INSTALLATION INSTRUCTIONS - Illuminated Kick Plate Kit

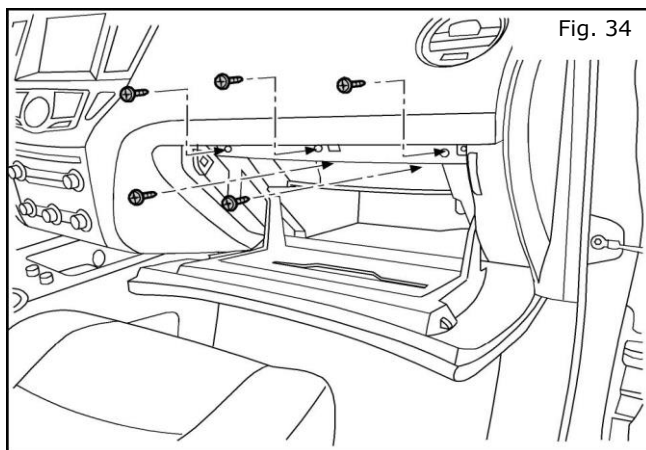
14. INSTALLATION



33. On the **passenger side**, route the wires along the existing harness and up under the dash. Secure any excess wire between the kick plate and the lighting control module with cable ties.

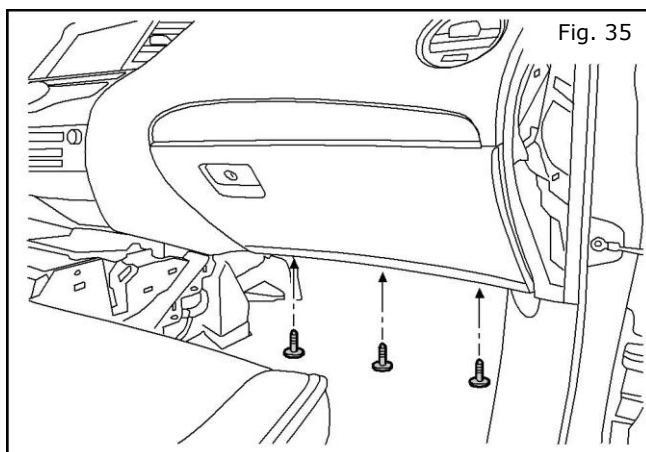
Note: Do NOT secure the wiring to the drain tube in any way.

NOTE: A functionality test is recommended at this time. Refer to Check Out procedure on page 19.



34. **Reinstall** the glovebox. **Reinstall** five (5) phillips head screws from inside the glovebox compartment.

NOTE: For Hybrid Vehicles only.

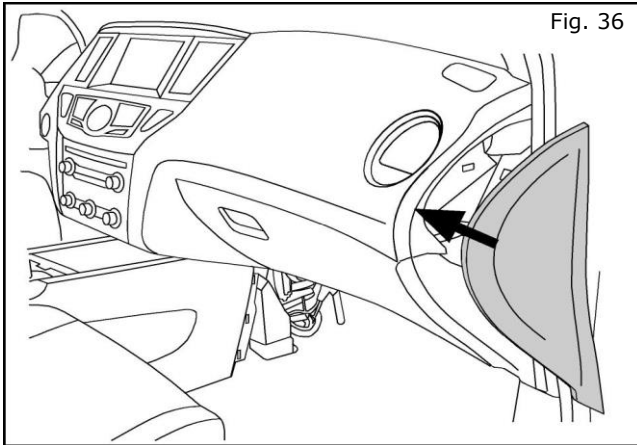


35. **Reinstall** three (3) phillips head screws from the underside of the glovebox.

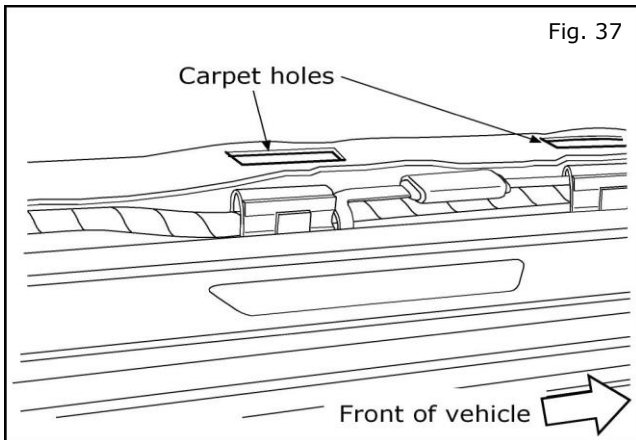
NOTE: For Hybrid Vehicles only.

INSTALLATION INSTRUCTIONS - Illuminated Kick Plate Kit

14. INSTALLATION



36. **Reinstall** the dash side mask.



37. **Reinstall** the side trim panels on **both** sides of the vehicle along the bottom door seals from the seat to the footwell (see fig. 3).

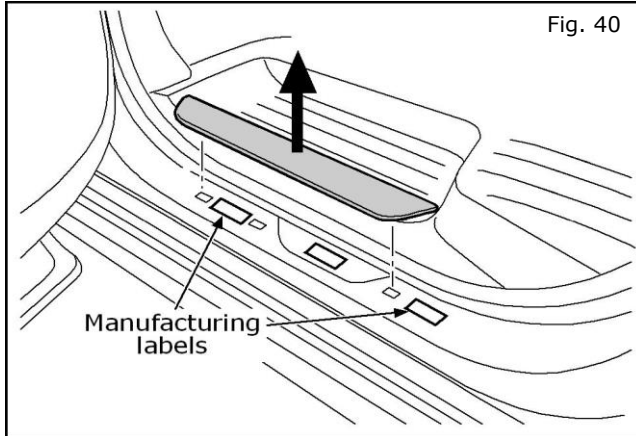
Note: Be sure to align the rectangular carpet holes with the harness routing clips.

38. **Reinstall** the footwell trim panels on both sides of the vehicle (see fig. 3).

39. **Reinstall** the trim panels along the bottom of both doors (see fig. 2).

INSTALLATION INSTRUCTIONS - Illuminated Kick Plate Kit

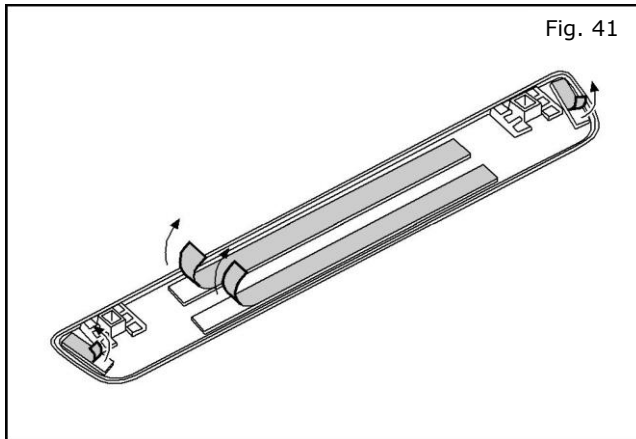
14. INSTALLATION



REAR DOORS

40. Carefully remove the existing kick plate from the driver side rear door rocker area.

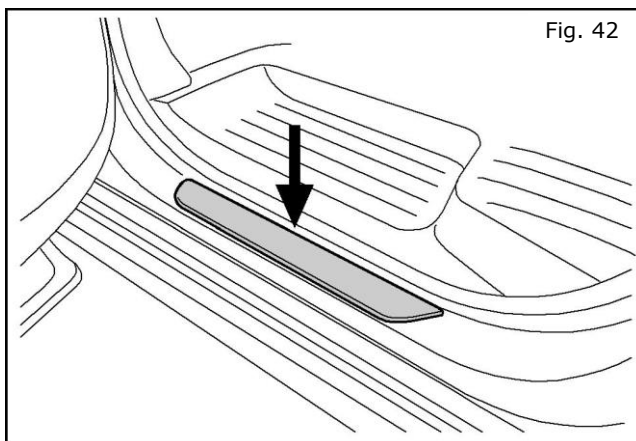
Note: Manufacturing bar code labels do NOT need to remain on the vehicle. Be sure to remove these labels or the Kick Plate adhesive mounting strips may not adhere properly.



41. Remove backing from adhesive strips located on the back of the new Kick Plate.

Note: The Rear Door Kick Plates are not illuminated

Note: Clean all mounting surfaces with alcohol wipe before final installation.



42. Place new Kick Plate into position on the driver side rear door sill and snap into place. **Apply minimum 15 lbs of downward pressure evenly along the Kick Plate for at least 30 seconds**

43. **REPEAT STEPS 33 THROUGH 35 FOR THE PASSENGER SIDE.**

44. **Remove** clear protective film from all plates.

Note: Be sure to trim all cable ties. Check all wiring. Make sure all trim is in place and clips are securely fastened.

INSTALLATION INSTRUCTIONS - Illuminated Kick Plate Kit

15. CHECK OUT

Inspect the vehicle for unfinished work.

- (1) Open front left door.
- (2) Verify the illuminated Kick Plate turns on.
- (3) Push and hold the door status switch located on the vehicles center pillar and press the door lock key fob. The kick plate should turn off with the dome lamp in the car within a few minutes.
- (4) Repeat steps 1 - 4 with the front right door.
- (5) Verify the functionality of all electrical vehicle components where harnesses were accessed.
- (6) Check and clear trouble codes (DTC).
- (7) If this vehicle will be returned to a dealer lot or showroom for an extended period of time, be sure the extended storage switch is placed in the "inventory" position.
(Refer to section 9 - Vehicle Preparation)
- (8) If vehicle is NOT going into storage, reset the radio presets to the recorded settings.

Note: When diagnosing electrical system problems, first disconnect the accessory connectors and note effect on system. Continue the investigation with the accessory connectors disconnected. Remember to reconnect the accessories when the investigation is complete.

INSTALLATION INSTRUCTIONS - Illuminated Kick Plate Kit

17. MECHANIZATION

